

Date

@qualcomm

Bangalore

Qualcomm

Qualcomm Maker Challenge 2018

User Privacy Through AI In A Video Call

Sameer Dharur

Vishal Jain

Rashi Tyagi

Harpal Dhoat



Solution - Approaches



Semantic Segmentation



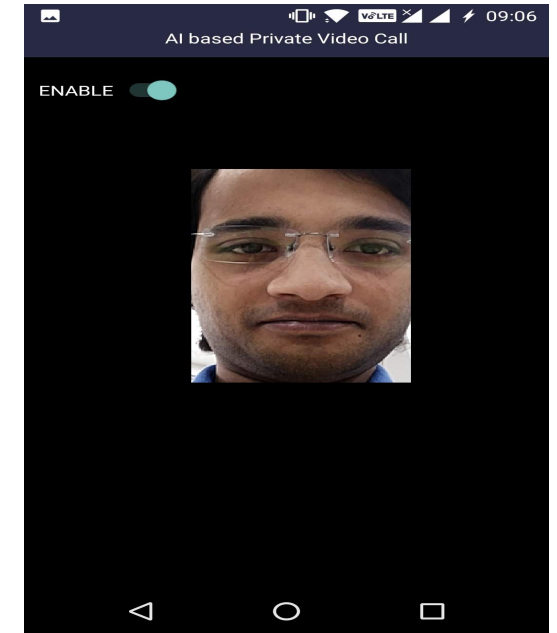
with AI Engine



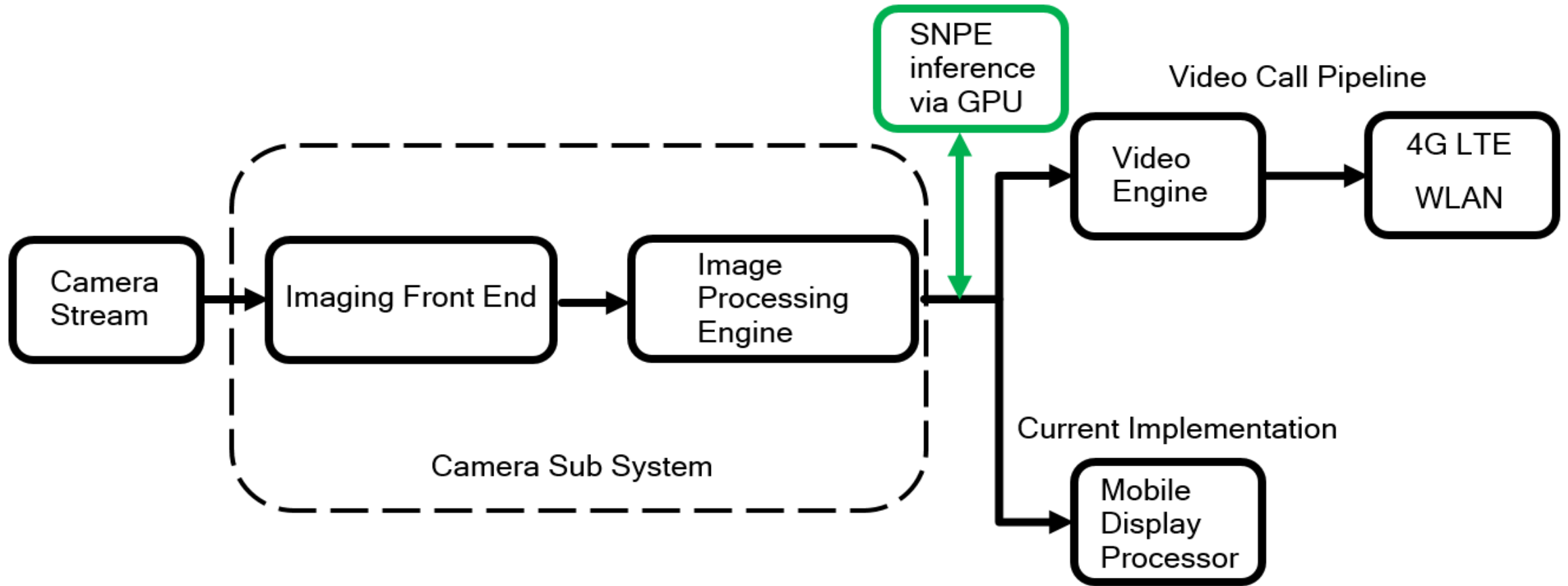
Object Detection



Object Detection



Solution Workflow



- Following the GPU inference for removing background, we **only send the small chunk of the image** that covers the face.
- This helps us make **crucial gains in bandwidth and power** by transmitting a much smaller portion than the complete image.

Object Detection via MobileNet SSD on SNPE

